

## ND10C

Ultraslim recessed Squared DownLight

Finished:

Options:

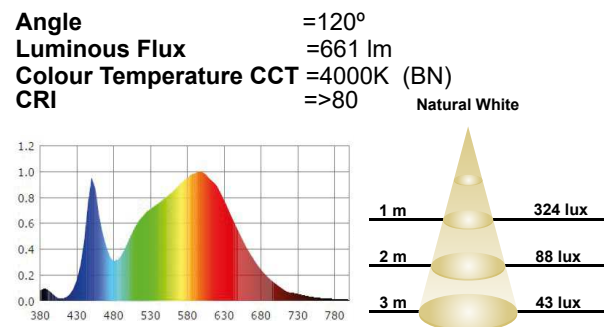
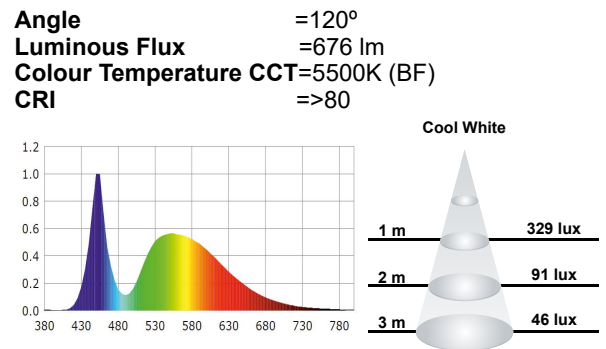
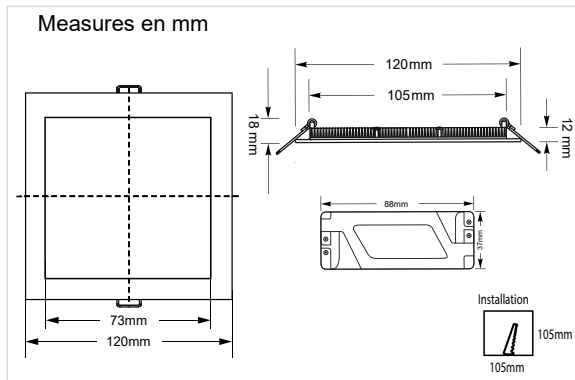


### Product



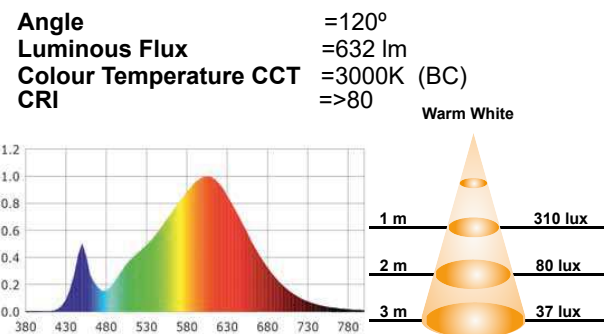
### Photometric data

### Measures

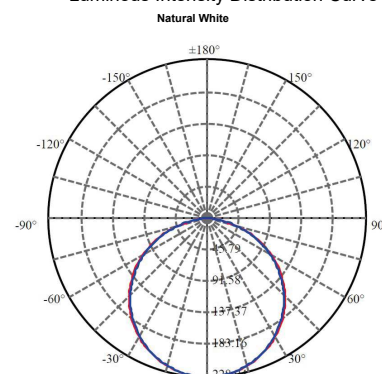


### Technical data

Power supply:	110~240Vac 50-60Hz
Power:	9W
Nº of LEDs:	40 chips SMD 2835
Power factor:	>0.50
Luminous efficiency:	75 lm/w
LED power:	0.22W
Luminous flux:	676 lm (BF) 661 lm (BN) 632 lm (BC)
Luminous intensity:	228cd
IP Code:	IP20
Operating temperature:	-10°C +40°C
Nº of switching:	15.000
Certifications:	CE, RoHS
Energy Efficiency:	A+
Lifespan:	30.000h (L70:B10)
Dimming:	Si, (Optional DM250-700mA)
Weight:	220 grammes



Luminous Intensity Distribution Curve



Chip used

EPISTAR



ThreeLine TECHNOLOGY